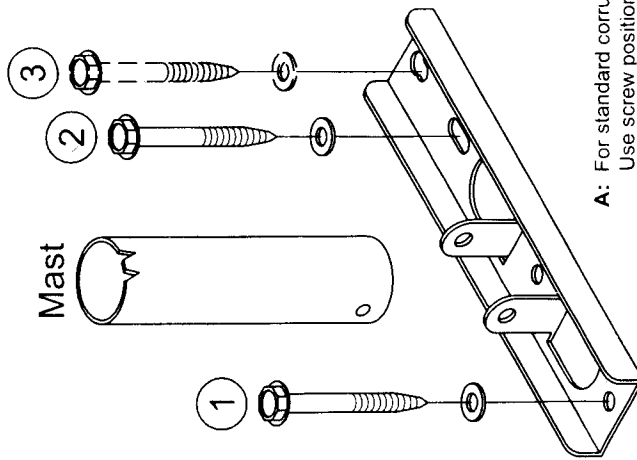


Tin Roof Bracket and screw arrangement for fastening to sheet metal roofs.

Flexi Mount is designed to be fixed to sheet metal roofs with rib heights between 16mm (corrugated iron) and 30mm (Trimdek and similar). Except as otherwise noted, all roof penetrations are to be through the crests of the cladding. Make new penetrations to fix Flexi Mount. Where existing cladding screws are to every second crest, it may be necessary to remove a screw and re-insert it through the centre hole of the tin roof bracket.



- A:** For standard corrugated sheet metal roofing
Use screw positions 1 & 2.
- B:** For 'Trimdek' style roofing
Use screw positions 1 & 3.

For fixing square rib roofing profiles to softwood purlins or battens in high wind areas, replace the 14-10 x 65mm Type 17 screws supplied with the mount kit with Buildex 14-10 x 75mm Type 17 screws.

Fixing to Steel Purlins

For fixing to purlins from 1.2mm to 3.0mm thick, replace the 14-10 x 65mm Type 17 screws supplied with the mount kit with Buildex 14-10 Metal Tek's of appropriate length to suit the roofing profile.

Fixing to Metal Battens

In non-cyclonic wind regions, Flexi Mount may be fixed to metal battens using FB607150 Metal Framed Roof Kit. Instructions are included with the kit.

Optional Clevis Bracket

An alternative Clevis Bracket is available for use in situations where the Flexi Mount is to be used on a deep rib deck where the width of the pans of the roof deck are often too narrow to permit the use of the standard Tin Roof Bracket.

Installation:

STEP 1:

Note: Step 1 is only necessary when reinforcement of the purlin-rafter joints is required. Enter the roof space and locate the area underneath the chosen mount site. Fasten a tie bracket between each rafter and purlin (see figures 2, 3 & 4).

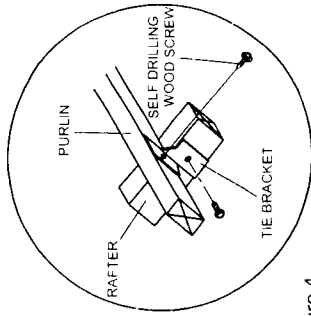


figure 4

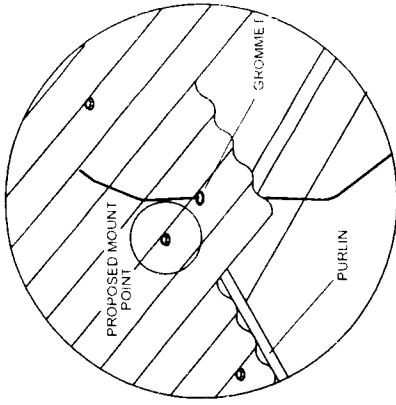


figure 5

STEP 2:

Drill a Ø10 hole through the roof sheeting next to the purlin which is to have the tin roof bracket screwed to it. Moisten and insert the grommet supplied through the hole and feed the end of the coaxial cable through it. Push sufficient cable through to make connection with the LNB. Run cable as necessary inside the house (see figure 5).

NOTE: if the installation is for "Twin LNB" then this process must be repeated for 2nd cable.

STEP 3:

Return to the exterior of the roof. Fix the roof bracket to the purlin next to the cable grommet(s) (see figure 6). Take particular care to liberally apply sealant to the screw holes before fixing down the roof bracket.

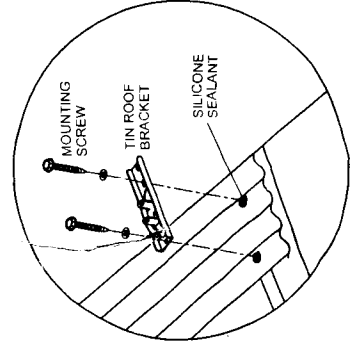


figure 6

Note: The mounting screw should only be tightened until bracket and washer are firmly against the top of the corrugation. Do not over tighten or the corrugation may be distorted.